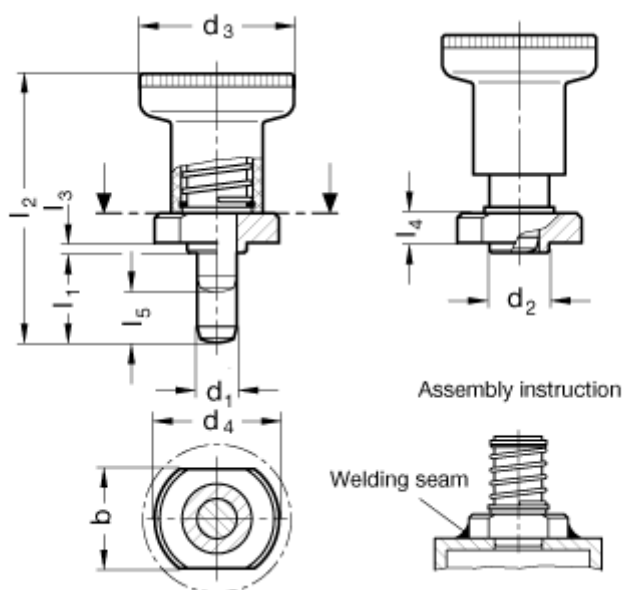


Article number: 201059020

Description: E+G Indexing plunger
GN 607.4-6-6-ST

Measures



b = 18	l4 = 5,5
d1 = 6	l5 = 6
d2 = 10	Max. axial load (N) = 400
d3 = 25	Spring pressure end (N) = 22
d4 = 22	Spring pressure preload (N) = 8,5
l1 = 6	
l2 = 37/45	
l3 = 1,5	